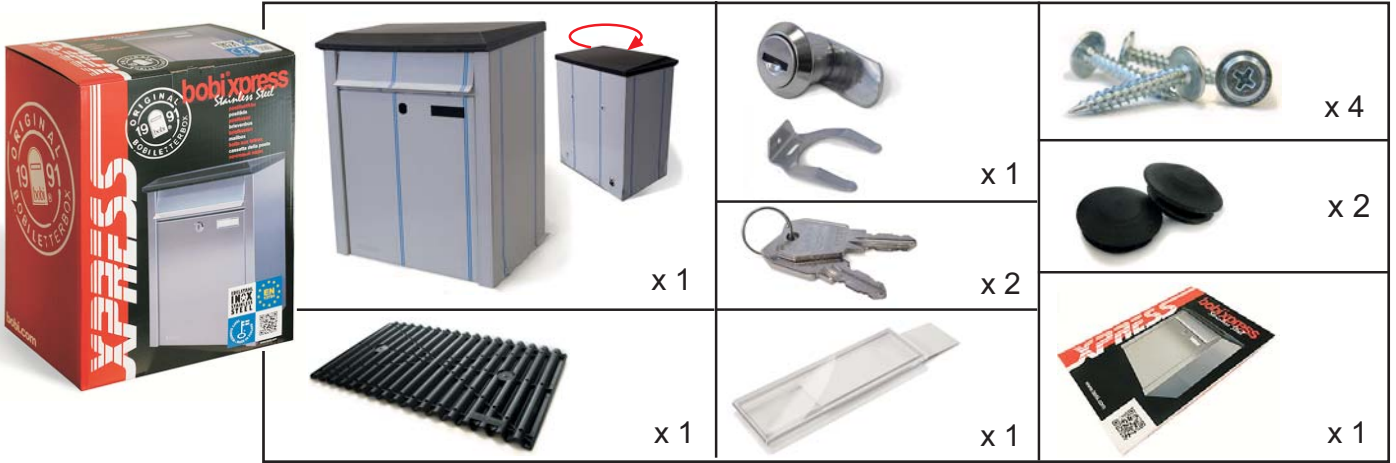


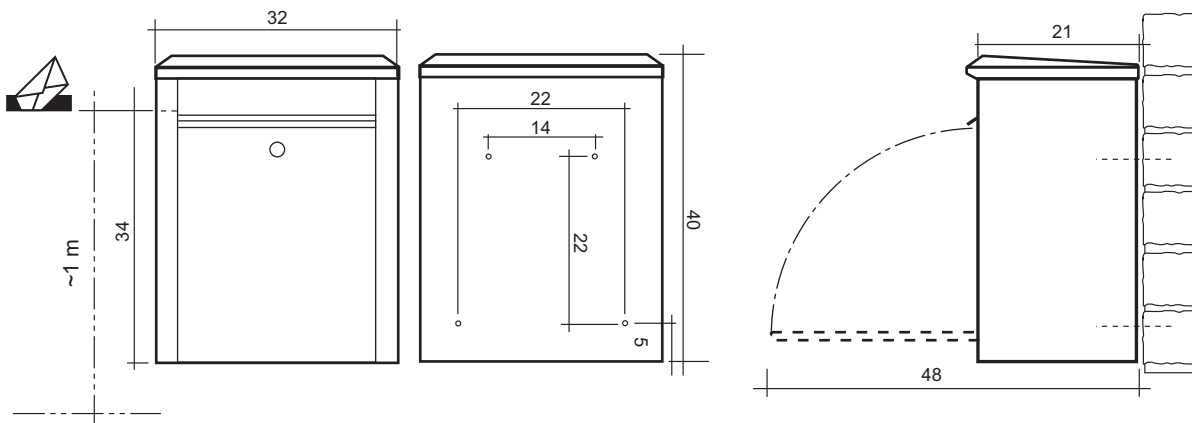
# INSTALLING INSTRUCTION 1/2

**bobi xpress**

In the package:



Measures in cm:



**1.** Remove the protective plastic on the back.



**2.** Fasten the letterbox to the wall



To fasten the letter box to a wood wall you need a screwdriver and a tape measure. Fastening screws (for wood) are included. Extra anchors and a drill is needed if the wall is made of brick, stone, etc.



If you are uncertain about the correct placement please contact your local postoffice prior the installation.

The height of the aperture is recommended to be ca. 1 m

**3.** Remove the protective plastic from the access door



**4.** Place the lock.



**5.** And fasten it with the clip



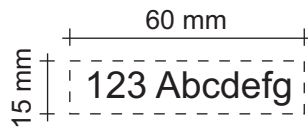
# INSTALLING INSTRUCTION 2/2

**bobi xpress**

**6a.** Write the name



**6b.** ... or print it



**7.** Place the nameplate into opening....



**8.** ... and fasten it



**9.** Remove the rest of the protective plastics



**10.** Place the rubber bumpers



**11.** Place on the bottom "Ribbed Floor" mat.



Ready.



Write down and save the key code!

--	--	--	--	--



**bobi.com**

© 2018